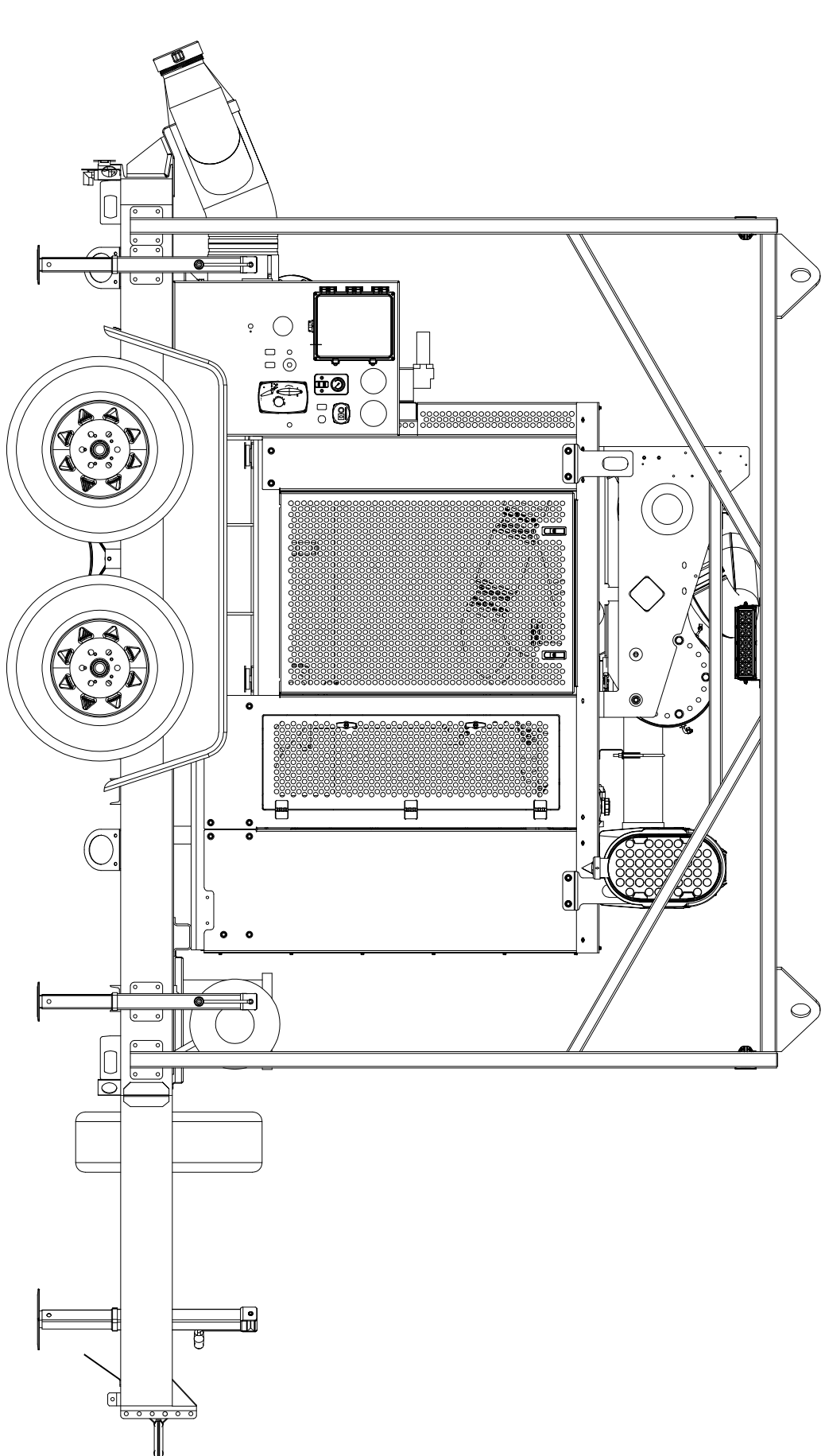
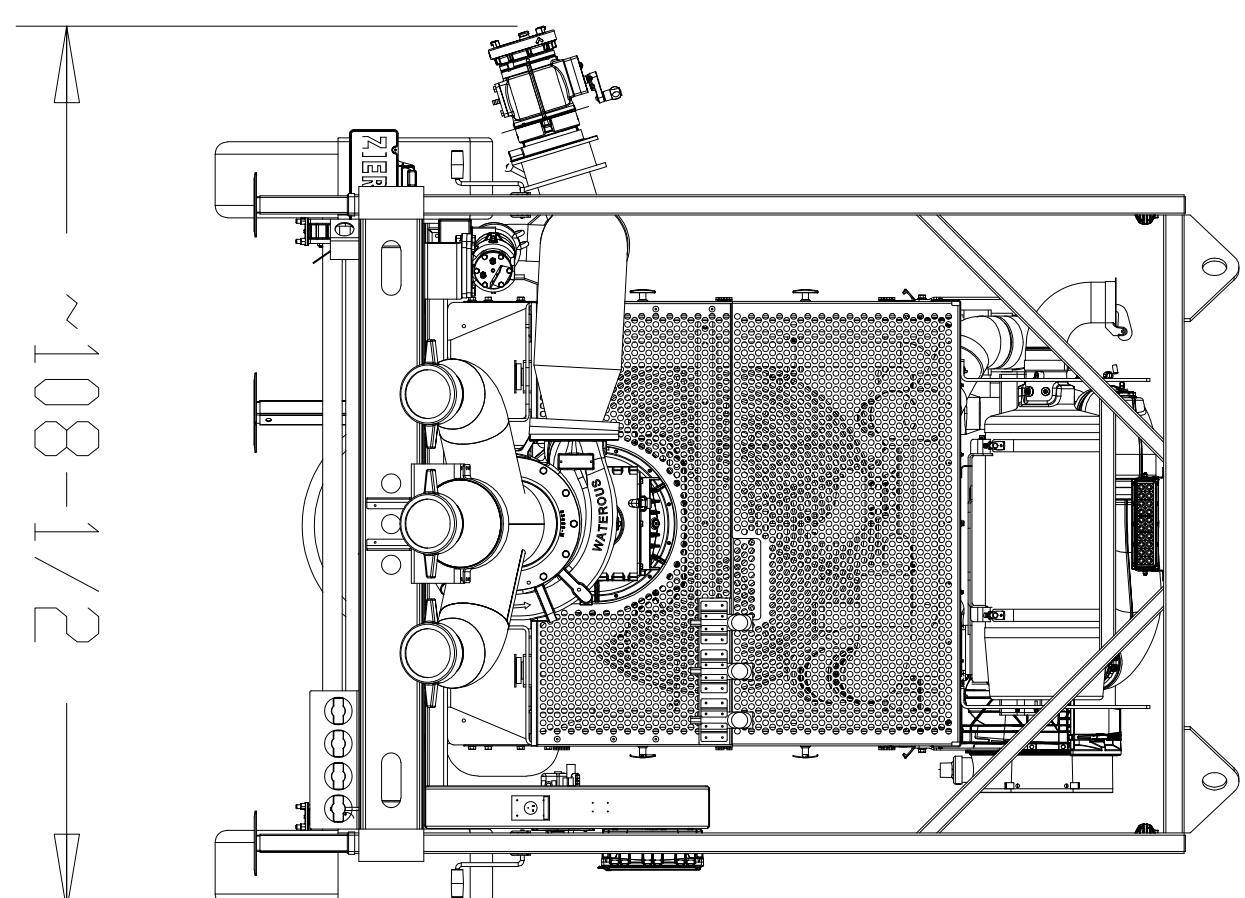
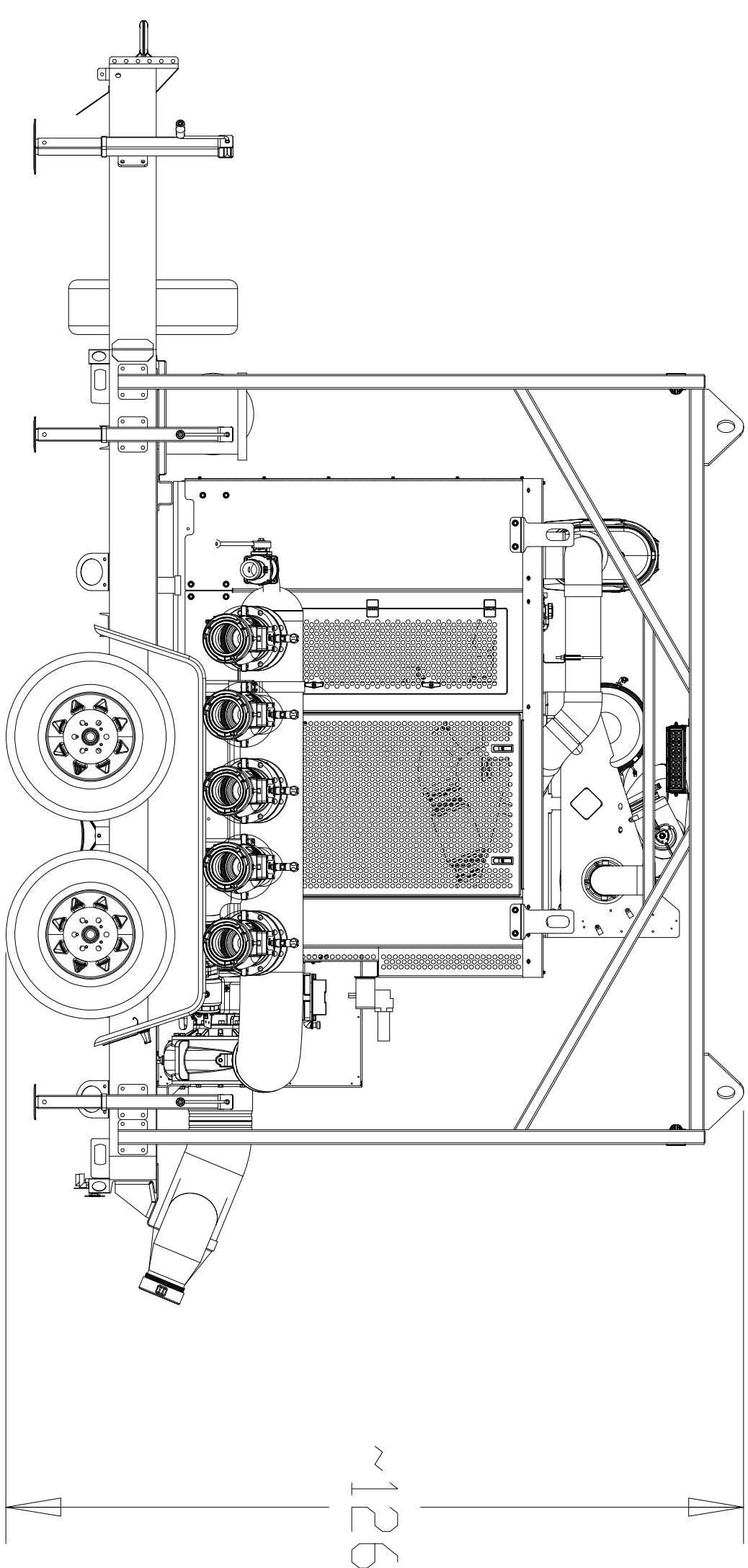
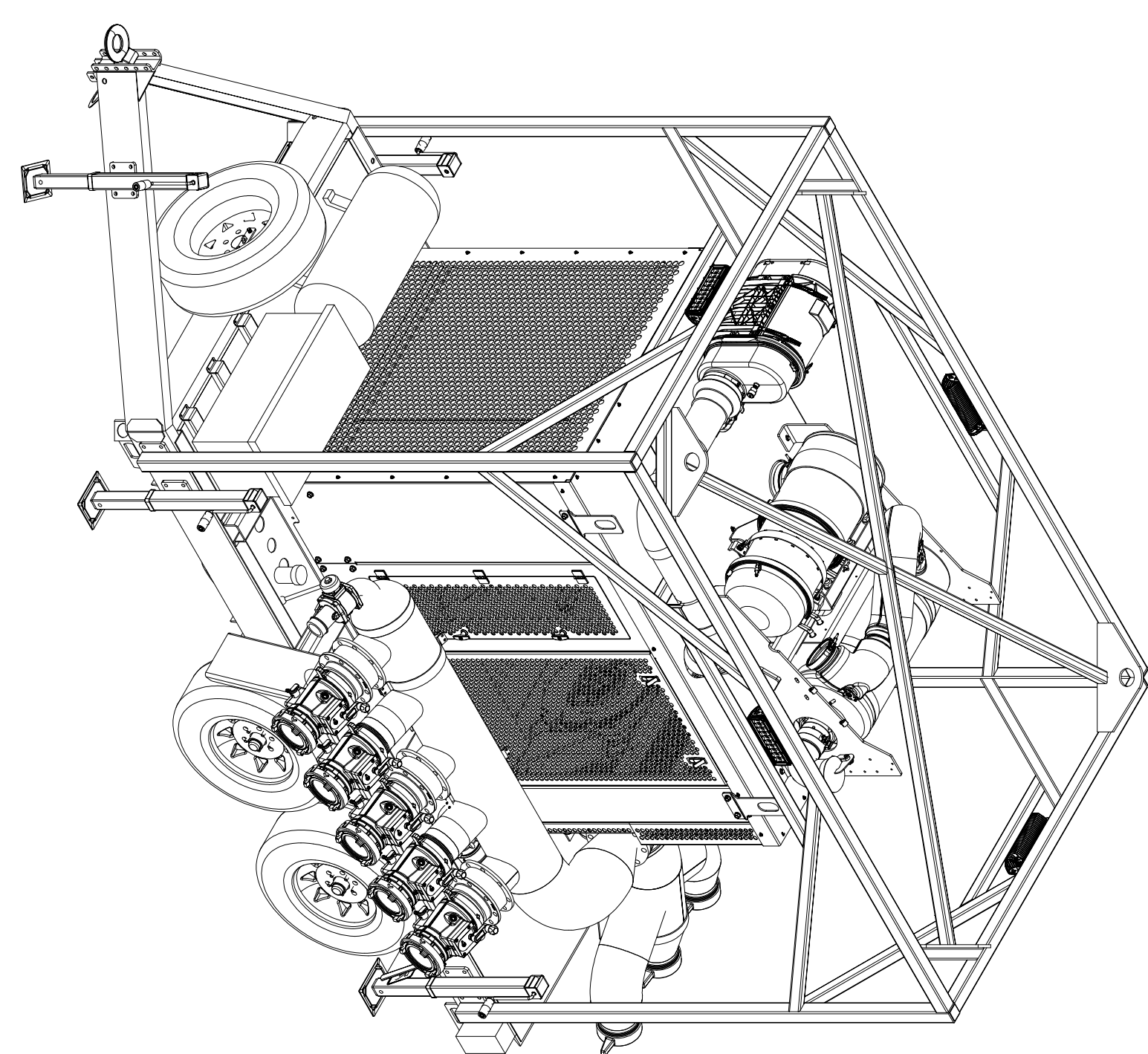
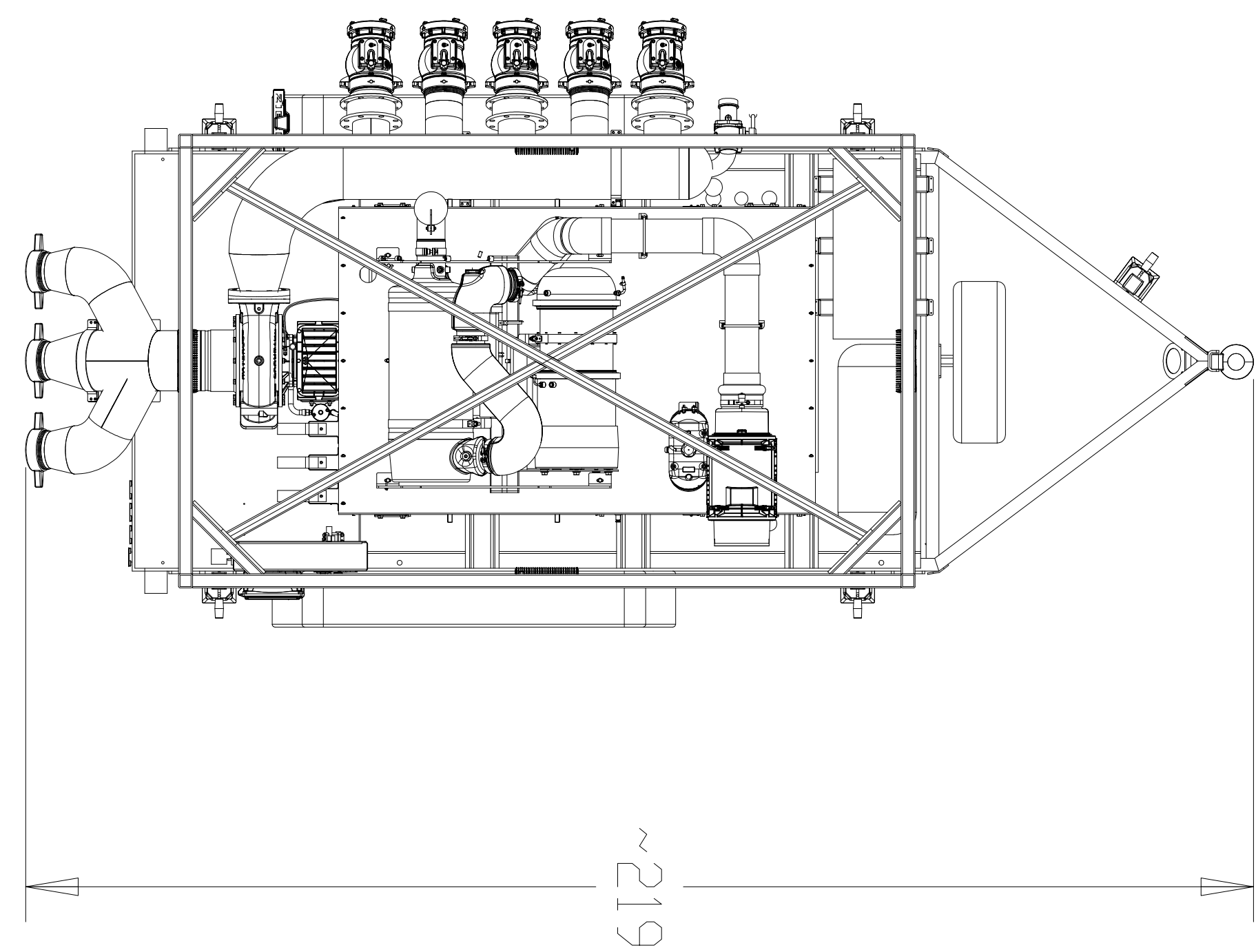
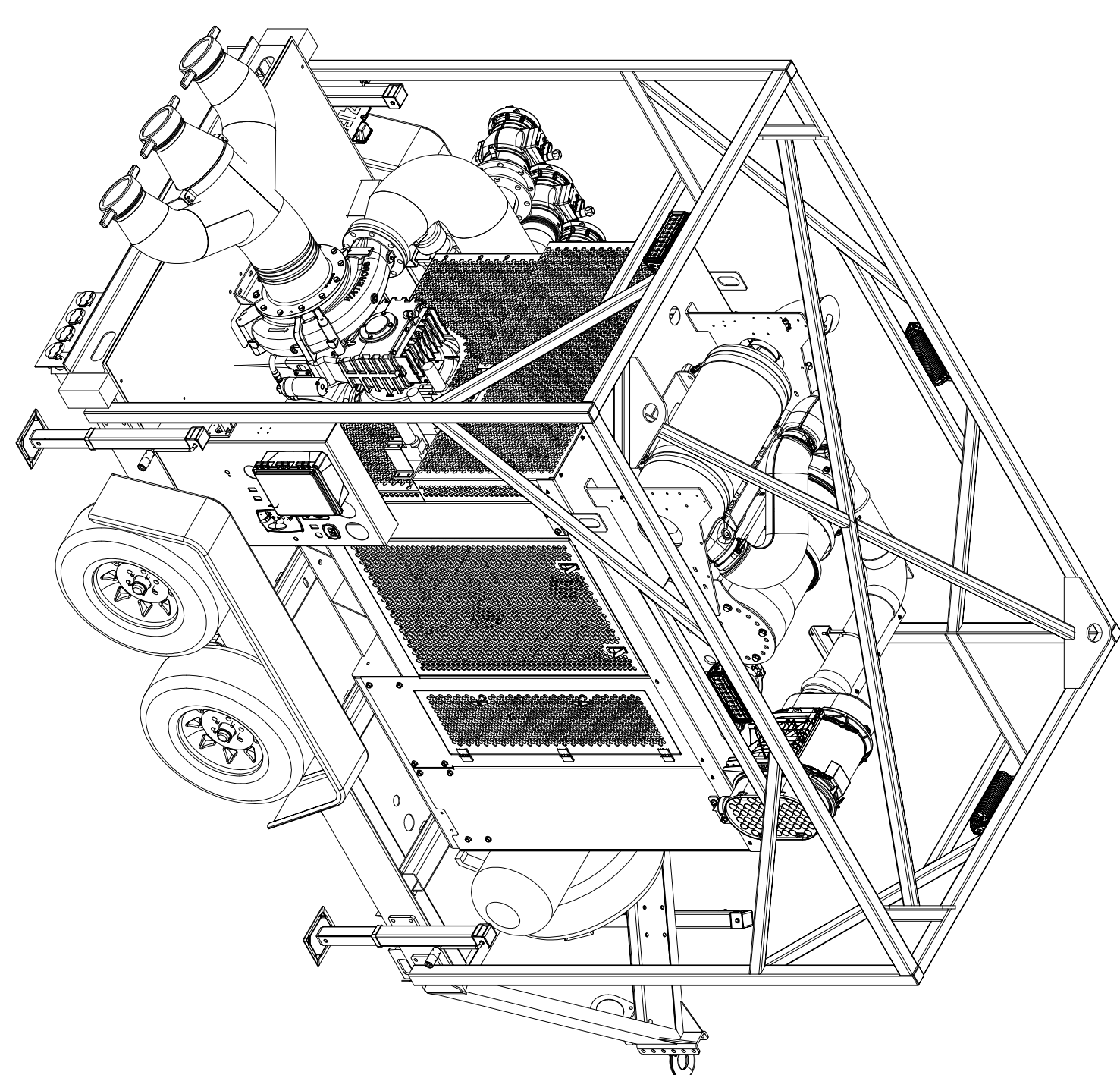


1 2 3 4 5 6 7 8



JOB: 21-027 RTFC TRAILER DRAWN BY: LRD DATE: 05-10-22
MATERIAL: FINISH:

CUSTOM FIRE APPARATUS, INC.
509 68TH AVE.
DSCEDLA, WI 54020

DRAWING NAME: TRAILER-VIEWS
MODEL NAME: RTFC-PUMP-TRAILER

1 2 3 4 5 6 7 8