

1

2

3

4

5

6

7

8

E

E

D

D

C

C

B

B

A

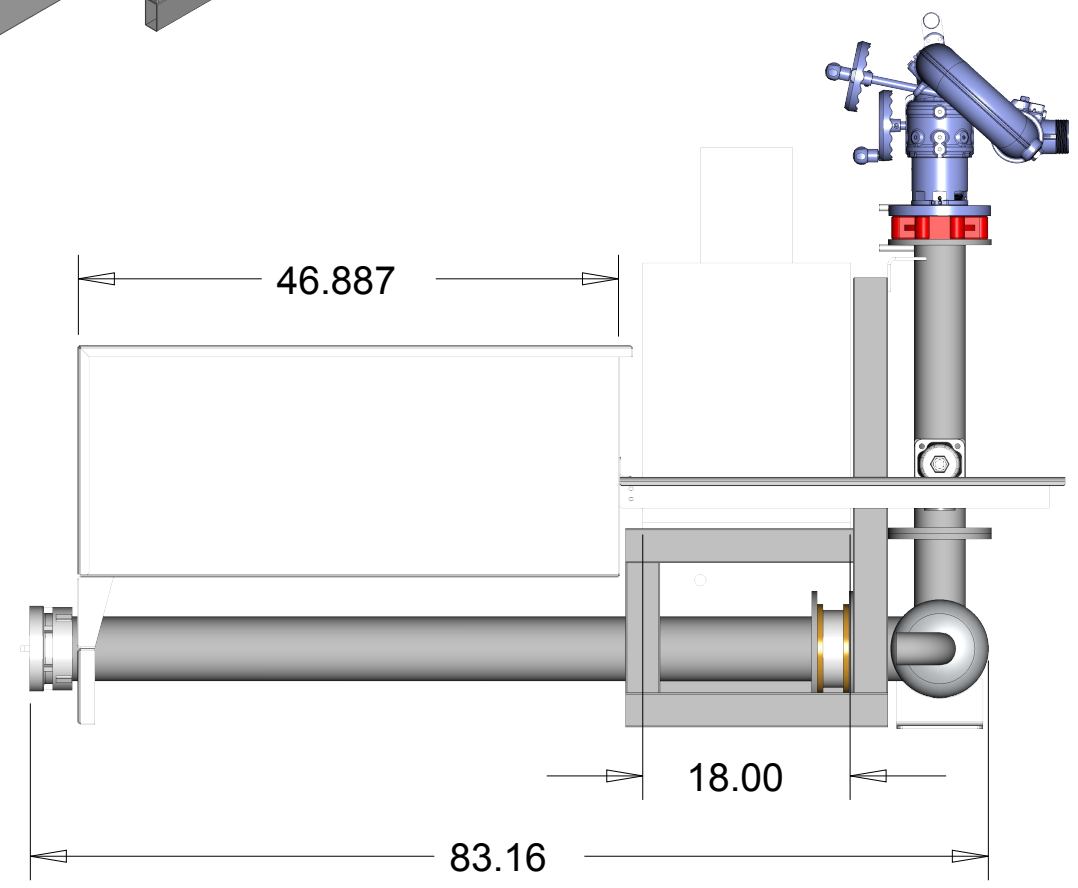
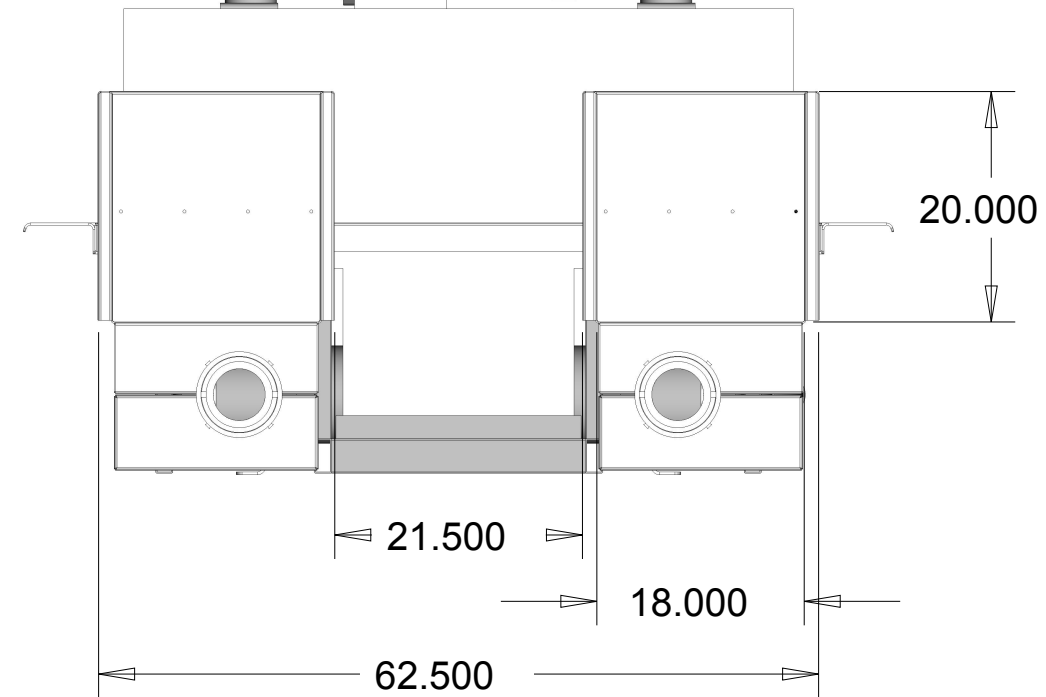
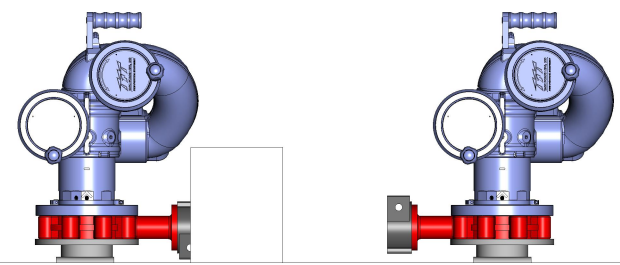
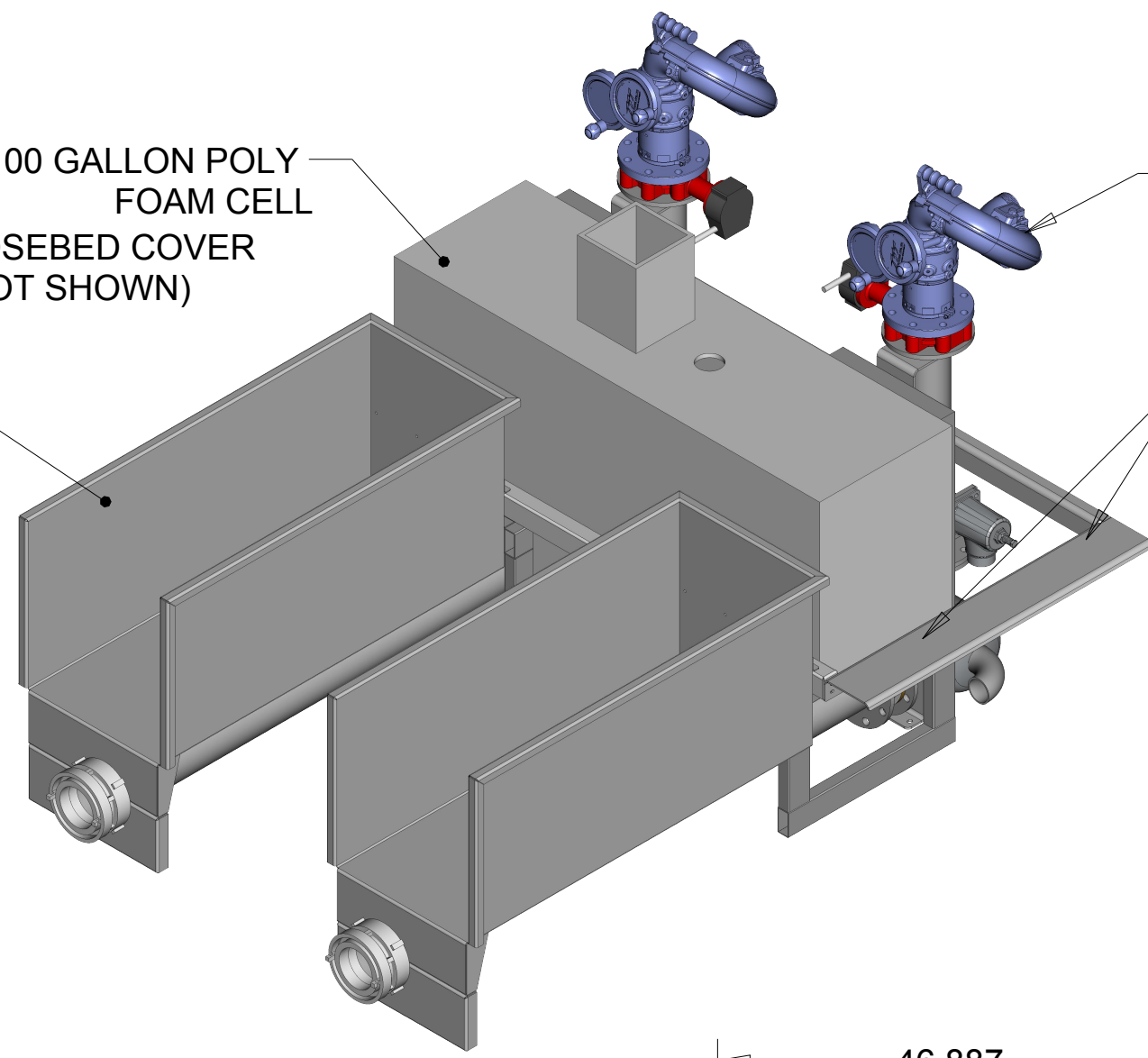
A

100 GALLON POLY
FOAM CELL
HOSEBED COVER
(NOT SHOWN)

TFT HURRICANE MONITORS
QTY 2

STAINLESS STEEL HOSEBED
200' 5" LDH HOSE CAPACITY (EACH)
#4 BRUSHED FINISH
QTY 2

STAINLESS STEEL
SUPPORT STRUCTURE



JOB:	19-033 SHELL-POLY	DRAWN BY:	LD	DATE:	06-25-20
MATERIAL:		FINISH:			

CUSTOM FIRE APPARATUS, INC.
509 68TH AVE.
OSCEOLA, WI 54020

DRAWING NAME:	QUICK-ATTACK-SHELL-5IN
MODEL NAME:	QUICK ATTACKS

1

2

3

4

5

6

7

8