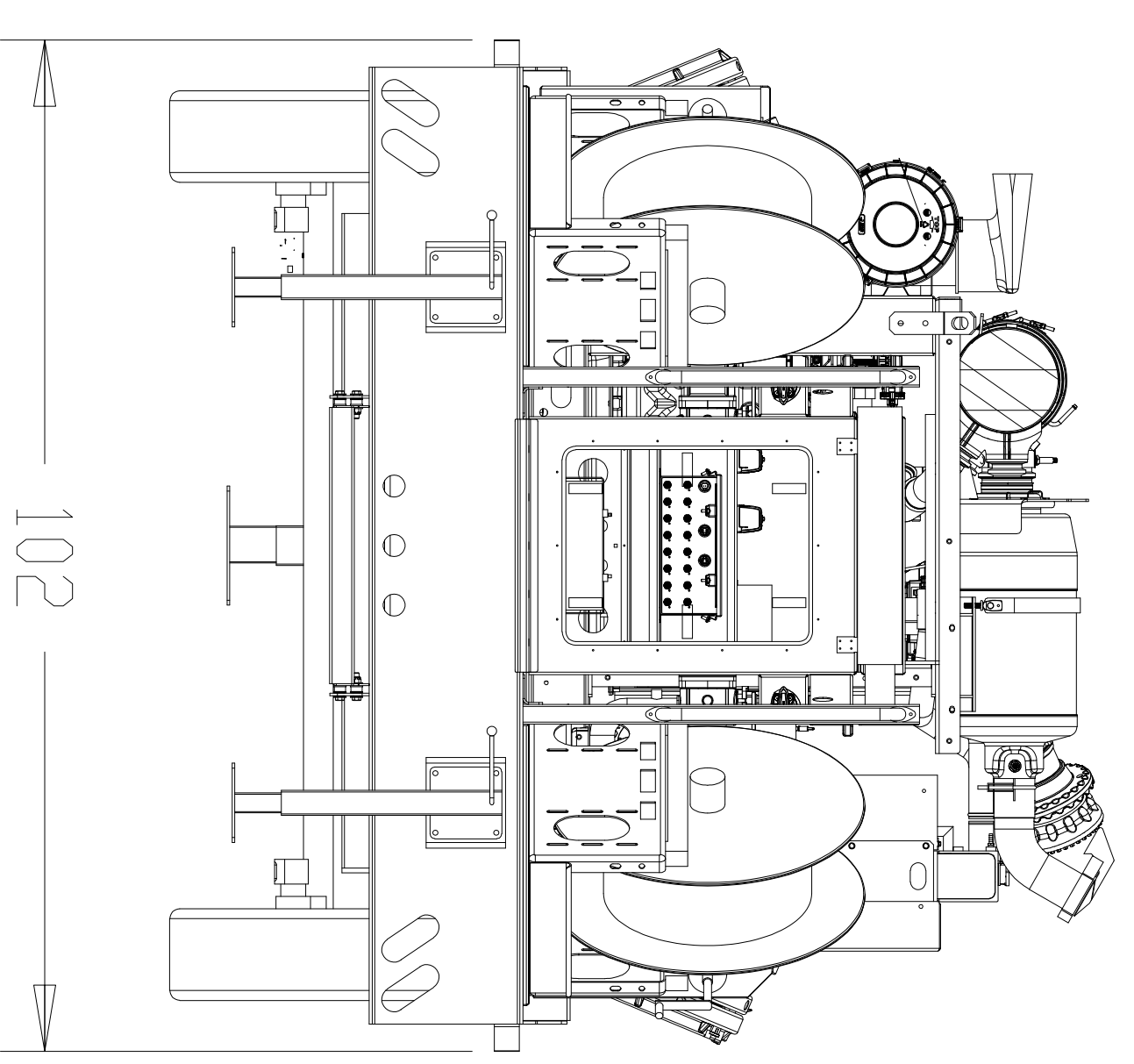
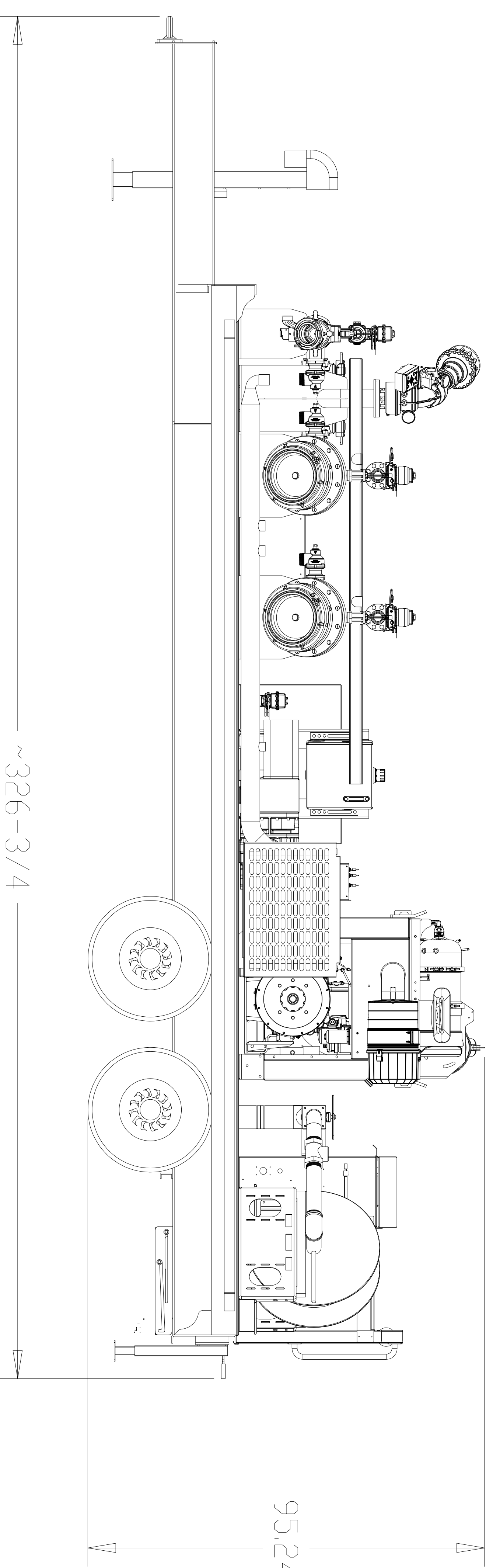
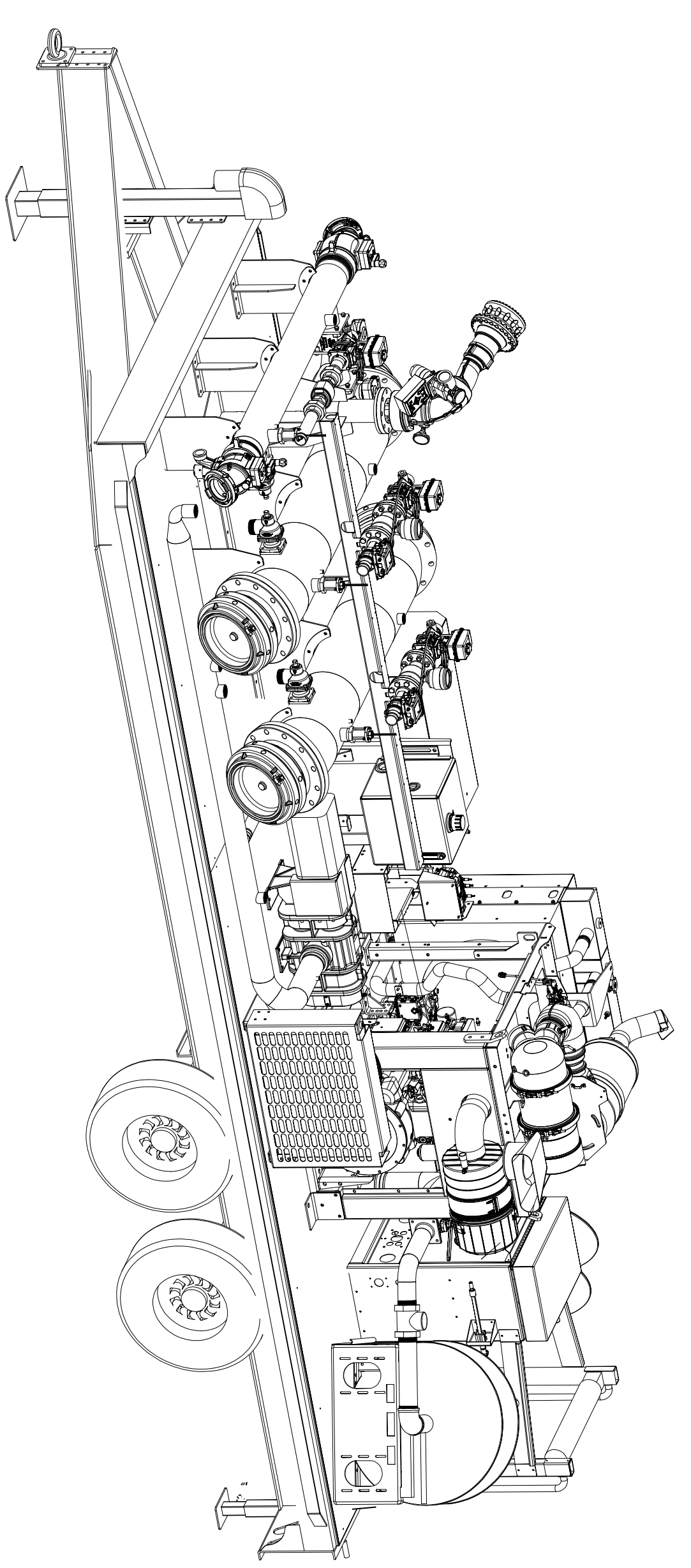
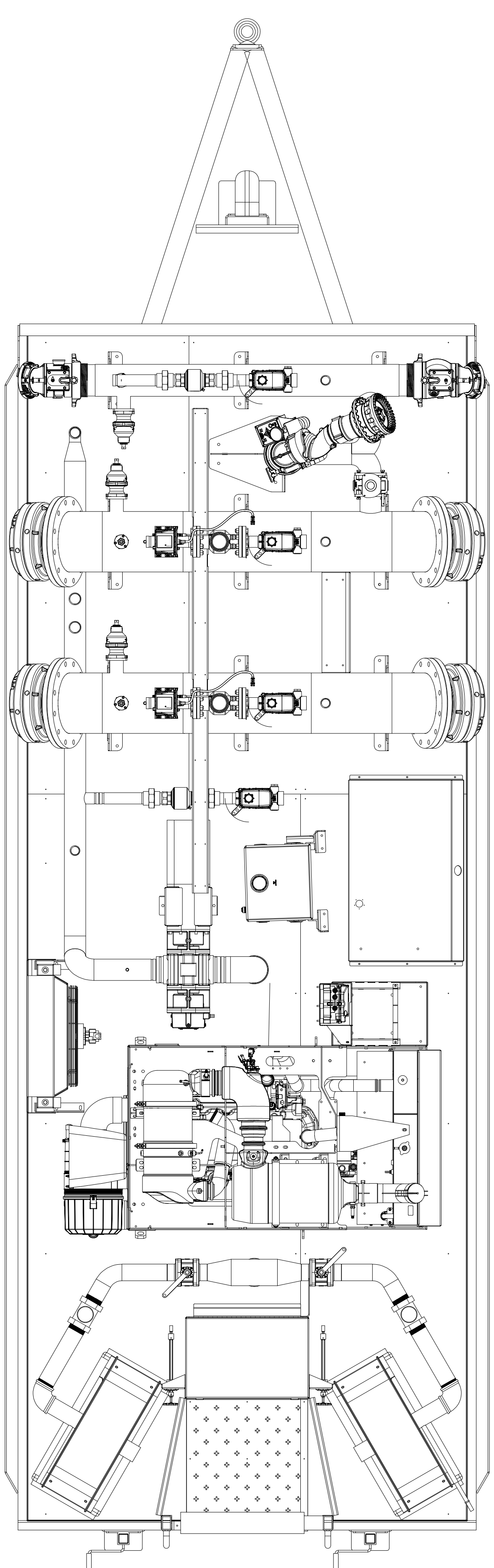


1 2 3 4 5 6 7 8



A

B

C

D

E

A

B

C

D

E

JOB: 20-014 IMT RR 500GPM DRAWN BY: LD  
MATERIAL: FINISH: DATE: 07-06-21

CUSTOM FIRE APPARATUS, INC.  
509 68TH AVE.  
DSCEDLA, WI 54020

DRAWING NAME: TRAILER-VIEWS  
MODEL NAME: FDAM-TRAILER

1 2 3 4 5 6 7 8